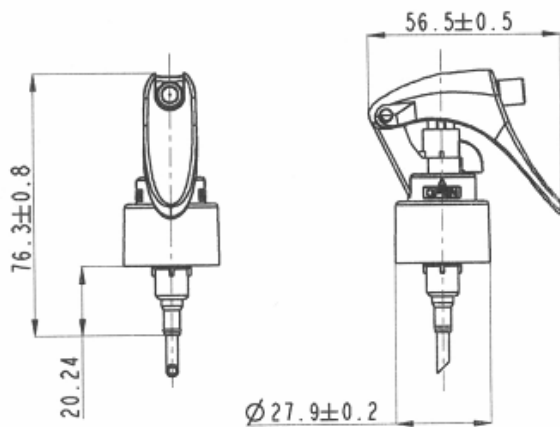
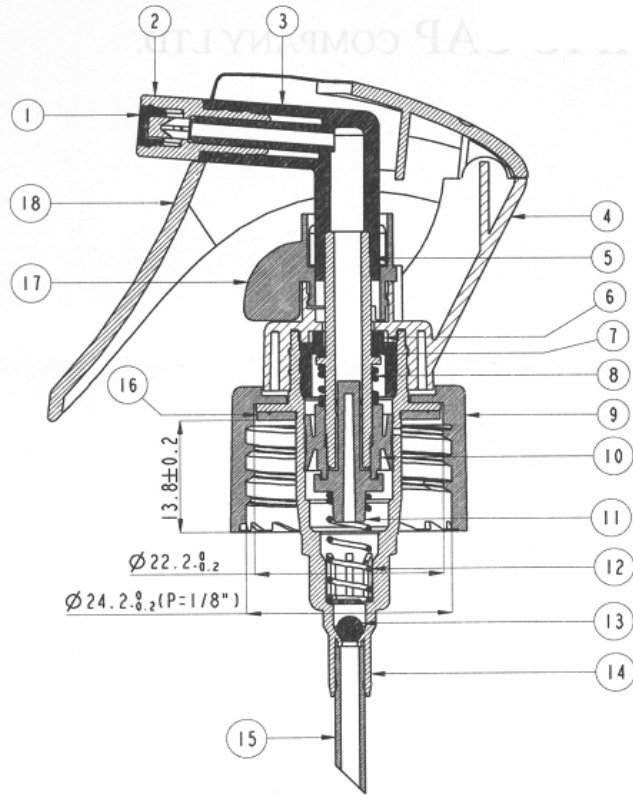


24/410 MINI TRIGGER SPRAYER



	NAME	MATERIAL
1	Orifice Cup	Polyoxymethylene
2	Spray Head	Polypropylene
3	Main Body	Polypropylene
4	Connection Chaplet	Polypropylene
5	Valve	Polyoxymethylene
6	Piston	Low Density Polyethylene
7	Seal Ring	Rubber
8	Spring	304H Stainless Steel
9	Closure	Polypropylene
10	Piston	Low Density Polyethylene
11	Valve	High Density Polyethylene
12	Spring	304H Stainless Steel
13	Ball	Glass
14	Accumulator	Polypropylene
15	Tube	Low Density Polyethylene
16	Gasket	Polyethylene
17	Switch	Polyoxymethylene
18	Trigger	Polypropylene