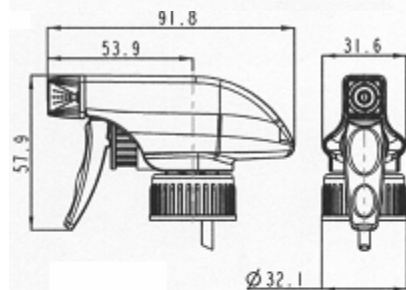
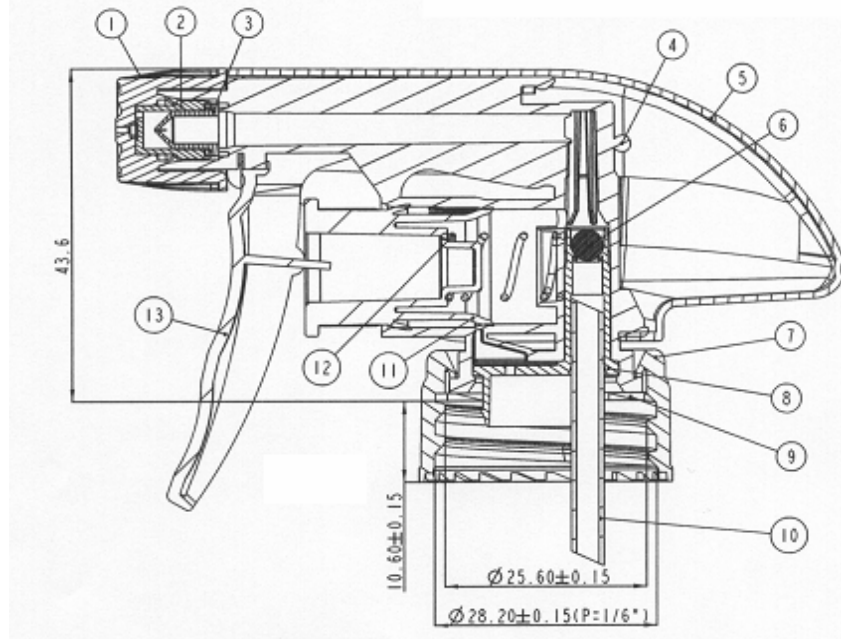


HIGH OUTPUT TRIGGER SPRAYER



	NAME	MATERIAL
1	Nozzle	Polypropylene
2	Spacer	Low Density Polyethylene
3	Valve	Low Density Polyethylene
4	Valve Body	Polypropylene
5	Shroud	Polypropylene
6	Ball Valve	Glass
7	Closure	Polypropylene
8	Tube Retainer	Polypropylene
9	Gasket	Polyethylene Foam
10	Tube	Low Density Polyethylene
11	Piston	High Density Polyethylene
12	Spring	304H Stainless Steel
13	Trigger	Polypropylene

200-4170 Still Creek Drive
 Burnaby, British Columbia, V5C 6C6, Canada
www.pacific-cap.com Tel: 604-299-2711 Fax: 604-291-7926